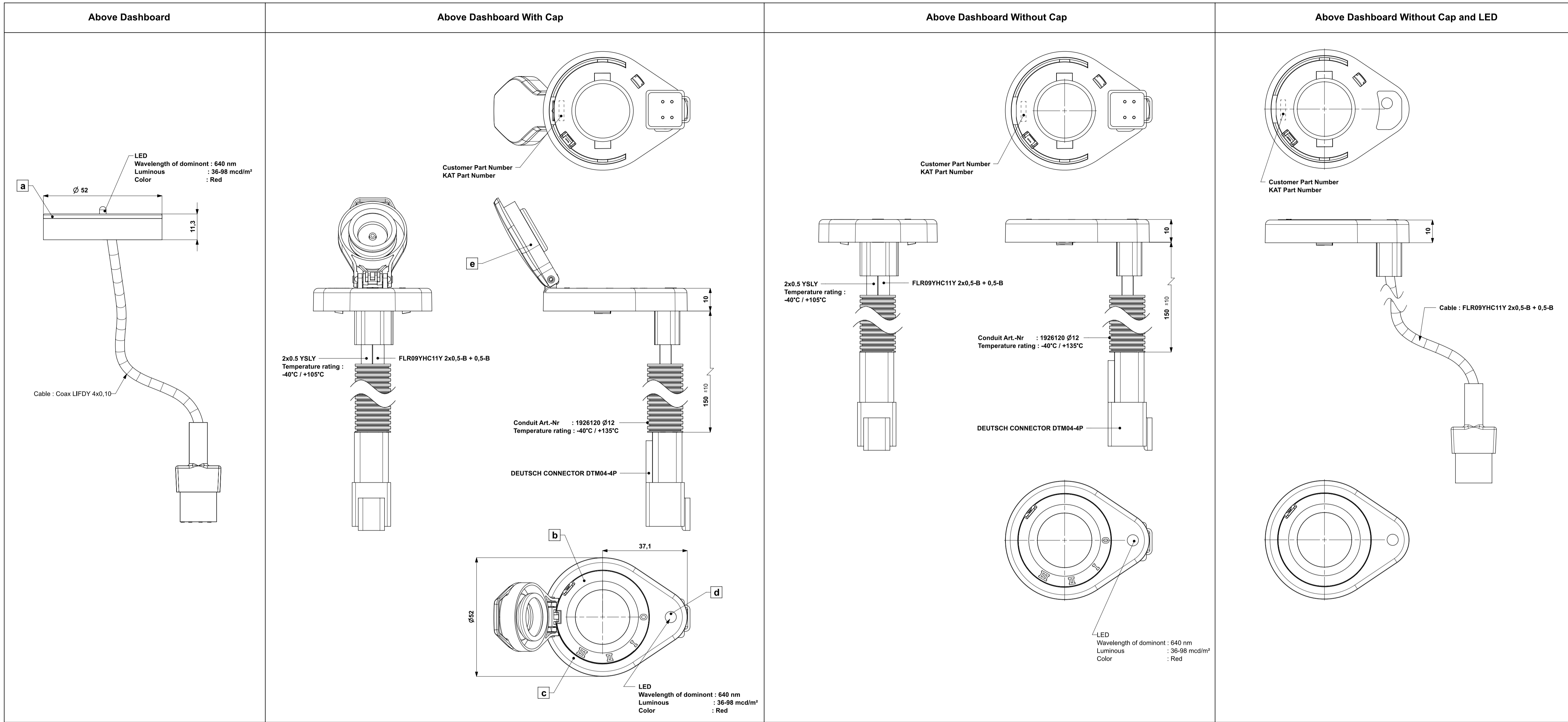
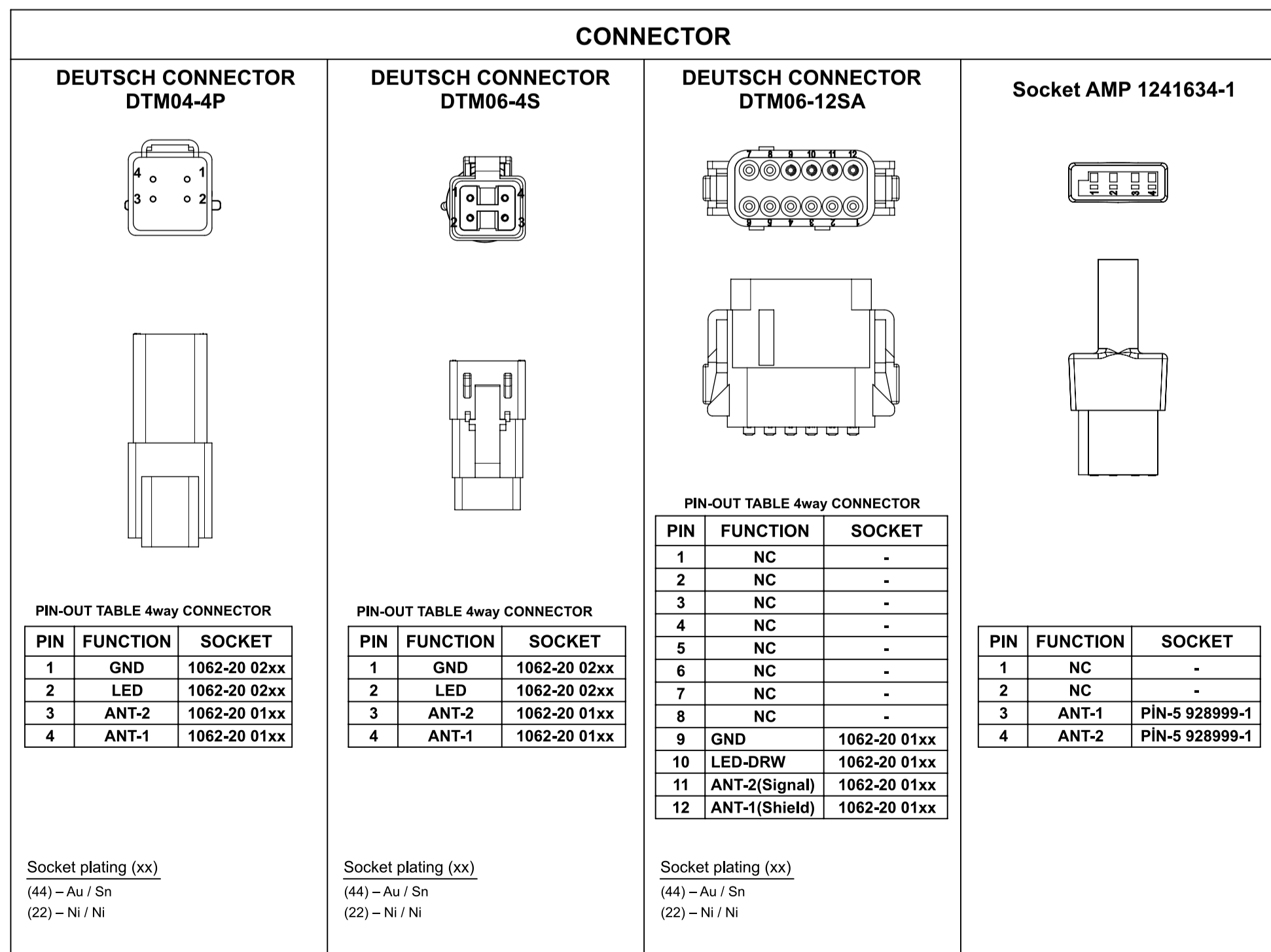
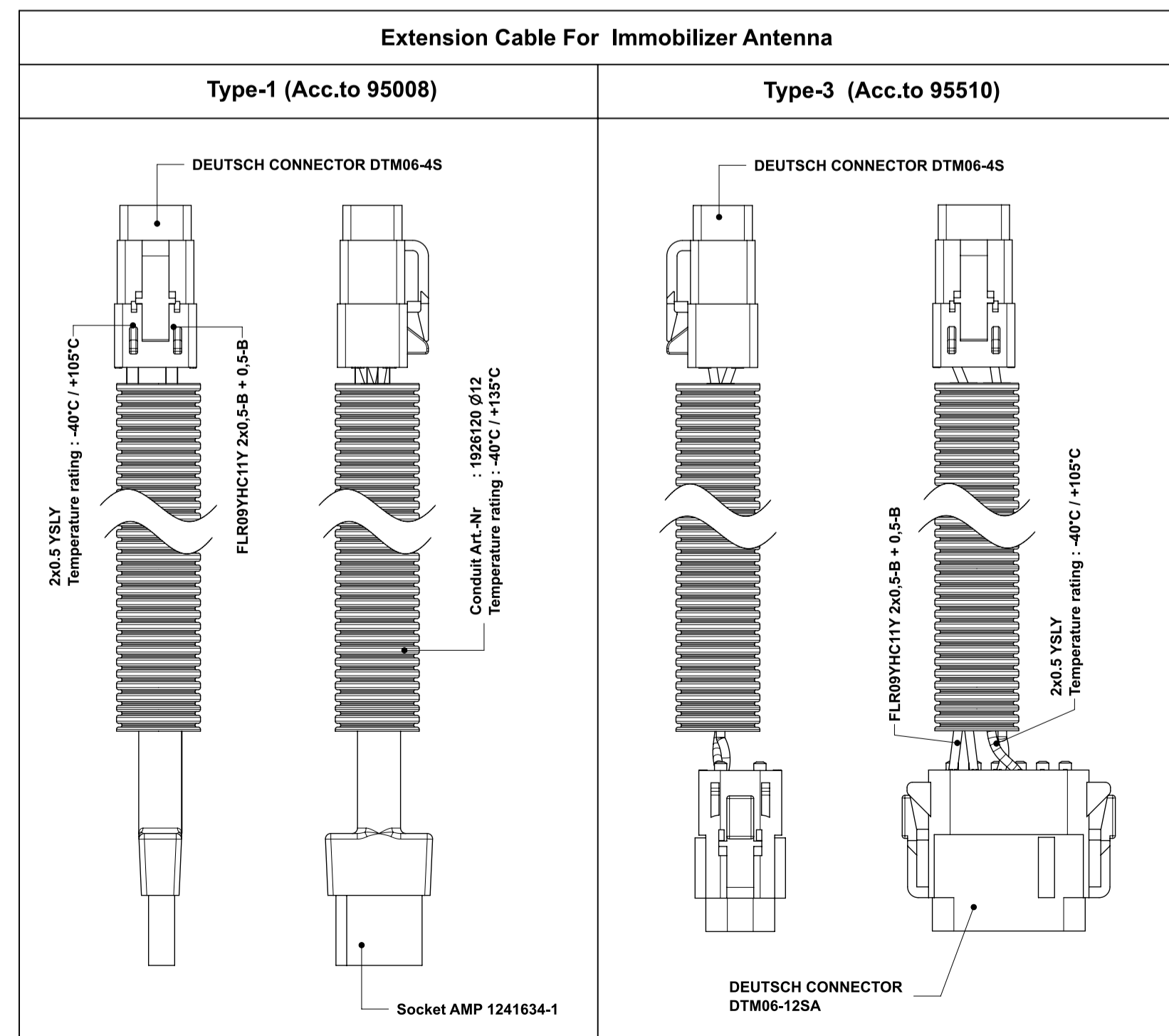
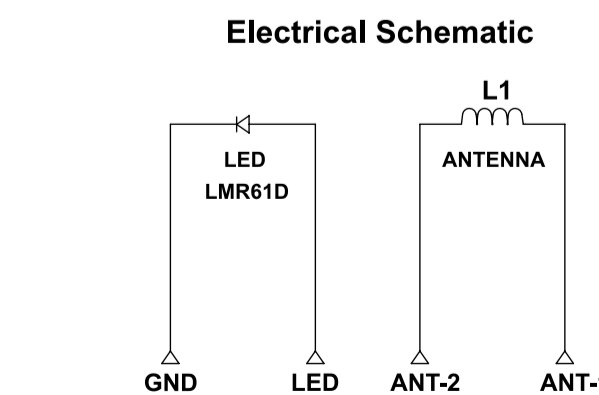


Nottari/ Notes
 For Type-1 IMMOBILIZER details refer to 95200100002 (95008)
 For Type-3 IMMOBILIZER details refer to 95200100021 (95510)



Antenna Inductance : 500-522 uH
 Antenna Impedance : 420-440 Ohm
 Operation Frequency : 134.2 kHz
 Modulation : FSK
 Coil : 66 turns
 Wire : Enameled copper wire
 Wire Diameter : 0.18 mm
 Operating temperature : -40°C +85°C
 Storage temperature : -40°C +85°C

Item	Designation	Material	Color
a	Above Dashboard Housing	PA6 GF30	Black
	Above Dashboard Base	PA66 GF30	
b	Above Dashboard Cover	PA66 GF30	
c	Above Dashboard	PC	
e	Spring Loaded Cover	PA66 GF30	



Note : AU / NI plated contacts are available for Type-3 immobilizer applications

Rev. No.	Konum Section	Tarih Date	İsim Name	Revizyon tanımı Revision description	Talep No. Order No.
a	JJ	06.08.2022	K.KARABULUT	Type-3 immobilizer extension cable added.	N/A

Parça Durumu / Part Status		Seri / Series	
KAT		SIEMENS NX (*.prt)	
Mühürleme / SAP kod / Markalama kodu		Reviz / Çözüm	
Materiyel / SAP code / Part marking code		N/A	
Ağırlık (g) / Weight		N/A	
Çıkma mukavemeti (N/mm²) / Tensile strength		N/A	
Kaplama malzemesi / Coating material		N/A	
Kaplama kalınlığı (µm) / Coating thickness		N/A	
Çizen / Drawn		İsmin / Name	
Tasarım Sorumlusu / Responsible design		Tarih / Date	
Kontrol / Checked		İmza / Signature	
Güvenlik Dök. / Safety Doc.		Proje Adı / Project Name	
ISO 128		KAT ABOVE DASHBOARD ANTENNA	
Çizim Ölçeği / Scale		Resim No / Drawing No	
1:1		95200100018	
N/A		(95421)	
Normal ölçülerde belirtilmeyen toleranslar için genel toleranslar / General tolerances for nominal dimensions without specified tolerance		Boyut Formatı / Sheet Size	
		A1	
		Sayfa / Sheet	
		1	
		Toplam sayfa / Total pages	
		1	
		DIN 2768 mK	

