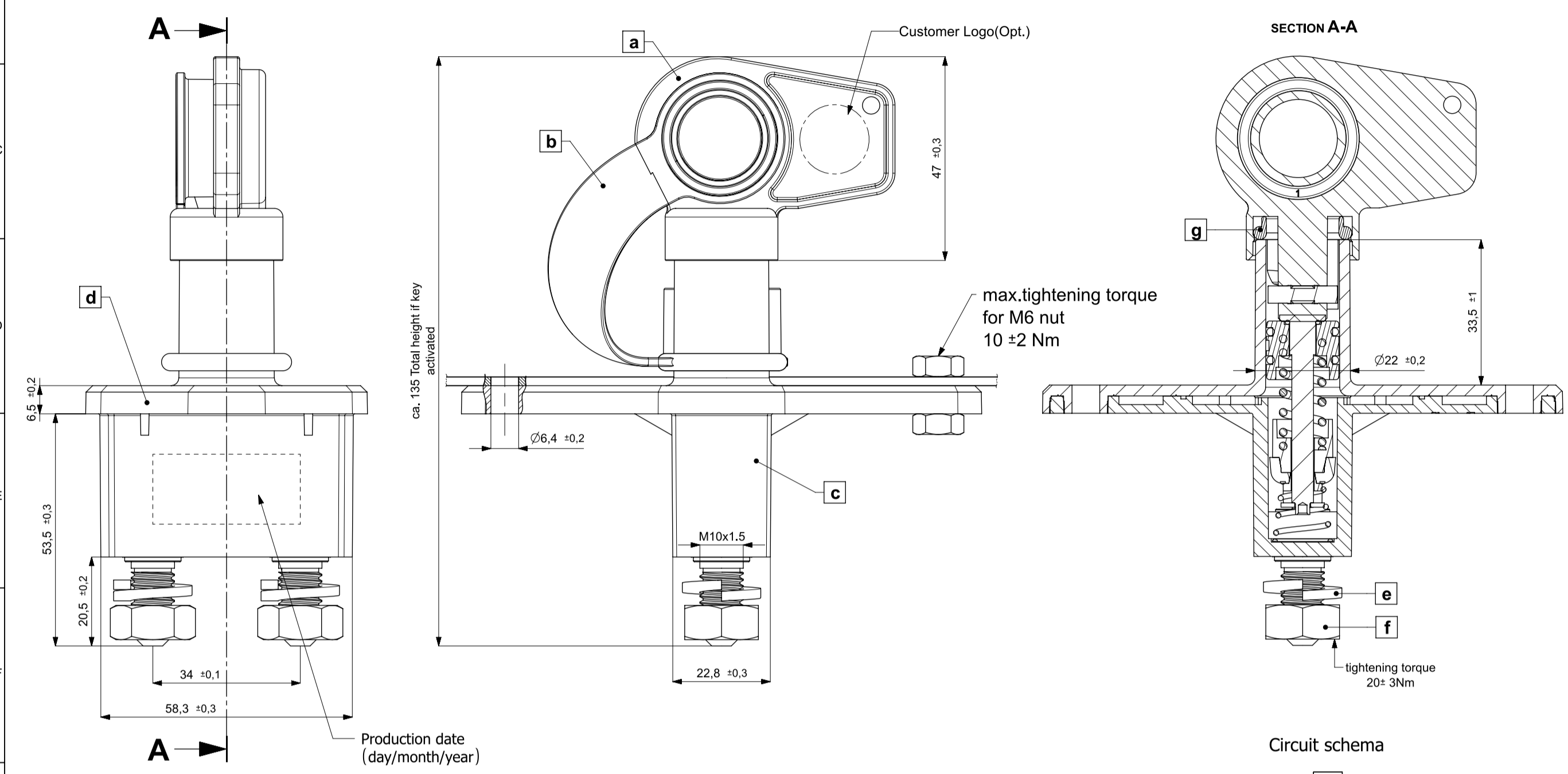


Notlar/ Notes



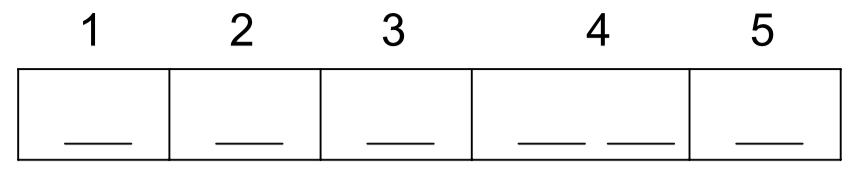
- * Electrical life : 5000 cycles @50A
- * Mechanical life : 10000 cycles
- * Operation temp. : from -40° C to +85° C
- * Key torque : max. 1,6Nm
- * Total operation angle : 103° ± 2°
- * IP Protection class : IP69K

Item	Designation	Material	Color	Weight (g)
a/a*	Key (Std./ Lockable opt.)	PA6 GF30	Red	18,2 / 22
b	Protection cap	PVC	Black	9,4
c	Base (Oval/Round)	PC GF20 (UL94 V-0)	Grey	95,3 / 89,75
d	Body (Oval/Round)	PC GF20 (UL94 V-0)	Black	26,7 / 19,8
e	Washer (DIN 127)	A2-60/70 XN	N/A	2,3
f	Nut	A2-60/70 XN	N/A	9,9
g	O-ring	NBR	N/A	6,1
h	Lock ON-OFF	PA6 GF30 (UL94 V-0)	Black	17,6
i	Lock OFF	PA6 GF30 (UL94 V-0)	Black	16,1

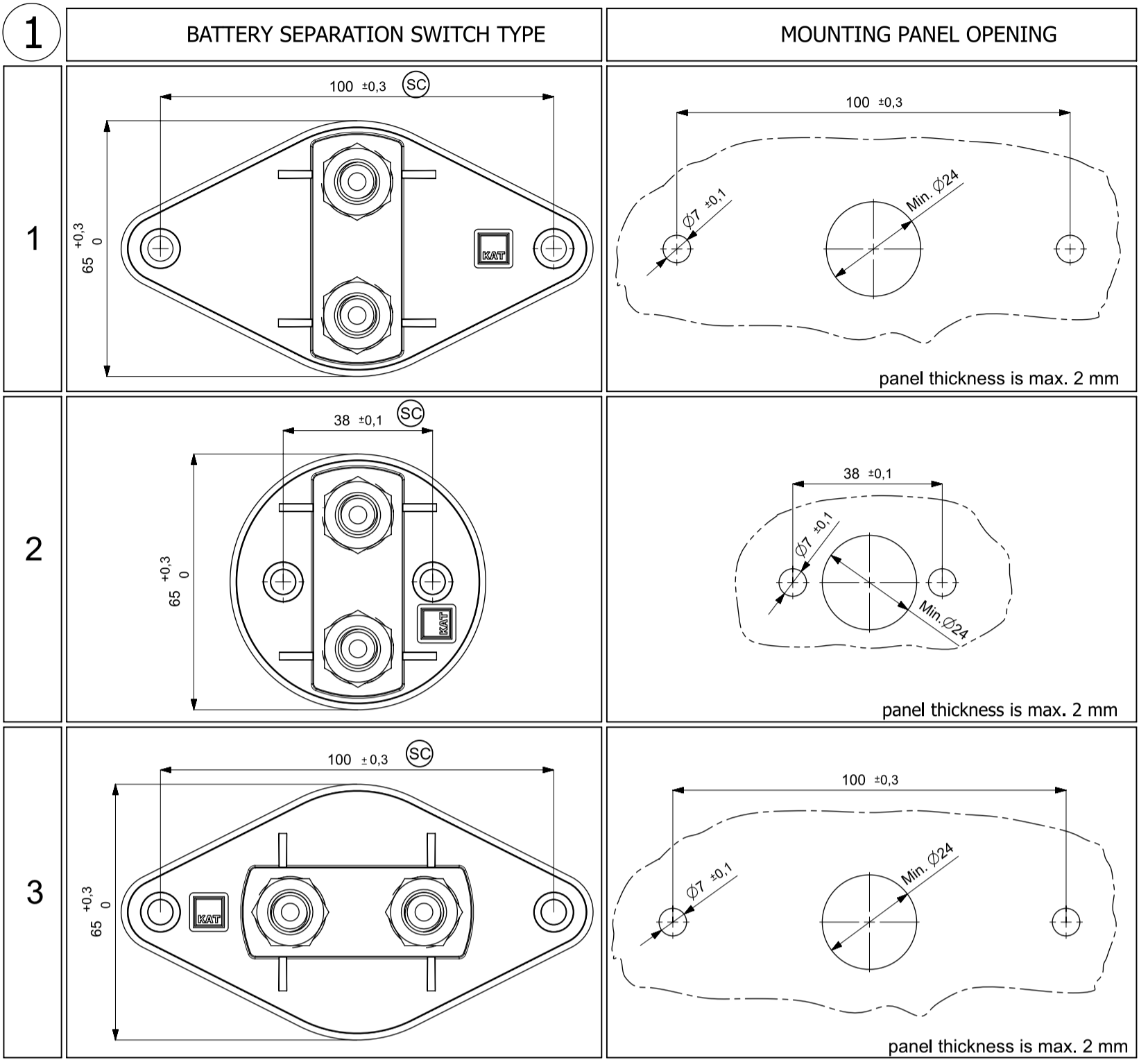
Item	Designation	Number
1	Battery Separation Switch	1
2	Key	1
3	Protection cap	1
4	Washer	2
5	Nut	2 or 4 (Optional)

SPARE PARTS			
 With KAT Logo 302200130008 (33419) Without Logo 34487 Customer Specific ASK.	 With KAT Logo 36326 Without Logo 302200130050 (36327) Customer Specific ASK.	 *Comes with special key With KAT Logo Without padlock 36503 Without Logo Without padlock 36505 With KAT Logo With padlock 36507 Without Logo With padlock 36509 Customer Specific ASK.	 *Comes with special key With KAT Logo Without padlock 36502 Without Logo Without padlock 36504 With KAT Logo With padlock 36506 Without Logo With padlock 36508 Customer Specific ASK.
 302200130011 (33648)	 302200130052_Washer (DIN 127)	 36510	 36511
 302200130053_Nut M10 (DIN 934)	 302200130056_Nut M10 (DIN 439)		

ORDERING SCHEME



- 1_ Battery Separation Switch Type / Mounting Panel Opening
- 2_ Electrical Values
- 3_ Nut Type
- 4_ Accessories
- 5_ Key Logo

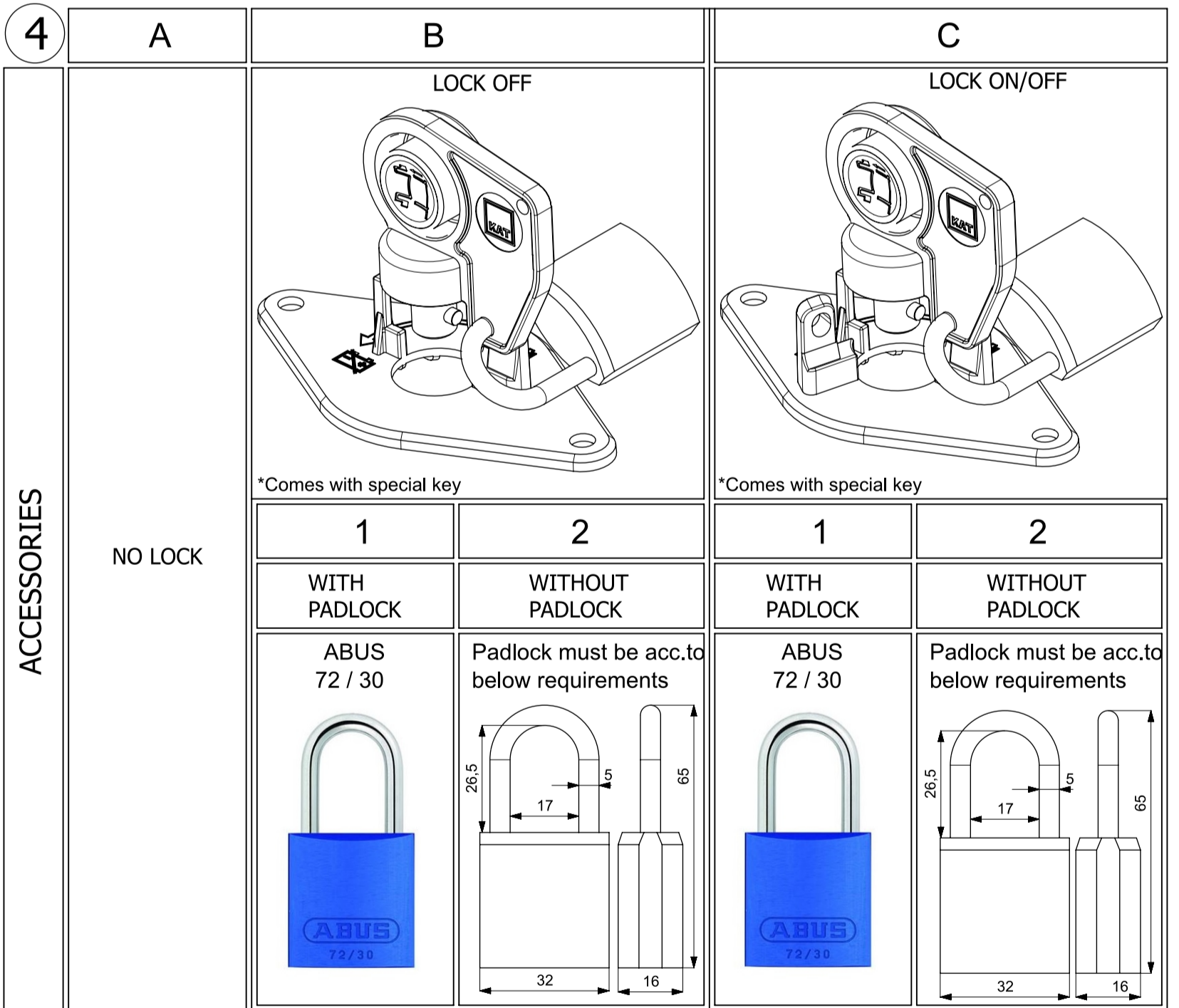


* Product fulfills requirements best when it is mounted underneath panel.

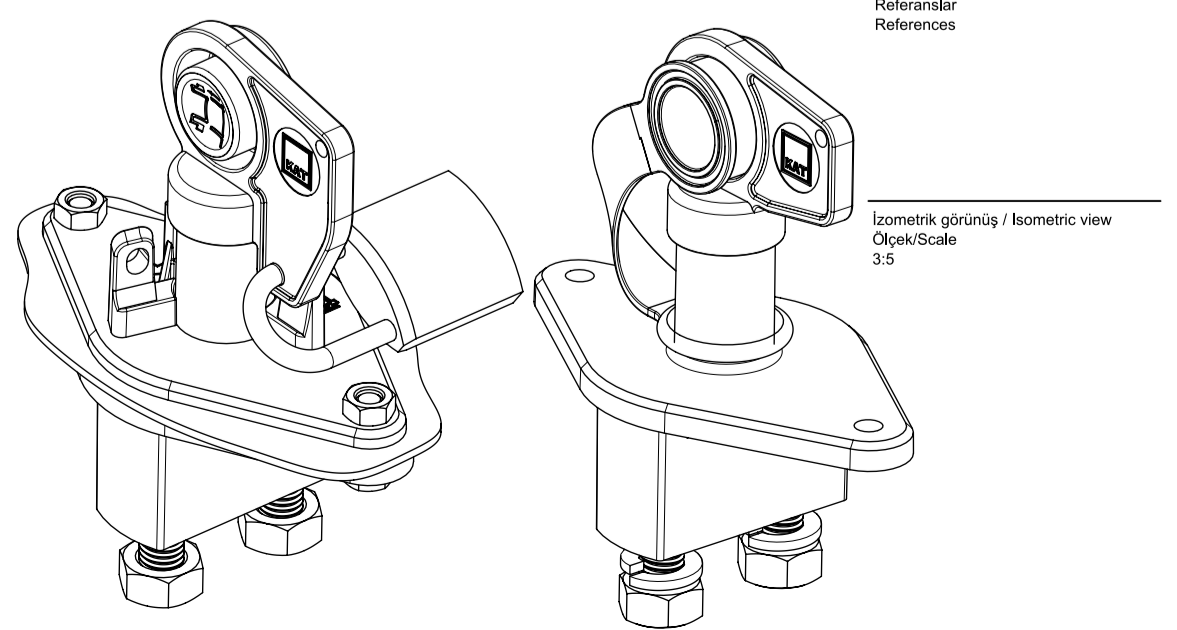
ELECTRICAL VALUES	
(WITH ACTIVATION UNDER LOAD)	
Max.Voltage	: 24V
Continuous load	: 250A
Short term	: 2500A for 5 sec.
Can be activated	: max.50 times under 250A
Voltage drop	: max.50 mV under 250A
Connection bolt material	: CuZn39Pb3 / EN 12164-R500 +Ag plated (3 micron)
Contact material	: AgCu3
Connection bridge material	: Cu+Ag plated (3 micron)
(WITHOUT ACTIVATION UNDER LOAD)	
Max.Voltage	: 24V
Continuous load	: 250A
Short term	: 2000A for 5 sec.
Voltage drop	: max.100 mV under 250A
Connection bolt material	: CuZn39Pb3 / EN 12164-R500
Contact material	: Cu
Connection bridge material	: Cu

NUT TYPE		Quant.
1	(DIN 934)	2
2	(DIN 439)	4

KEY LOGO	
1	Without Logo
2	With KAT Logo
3	Customer Specific



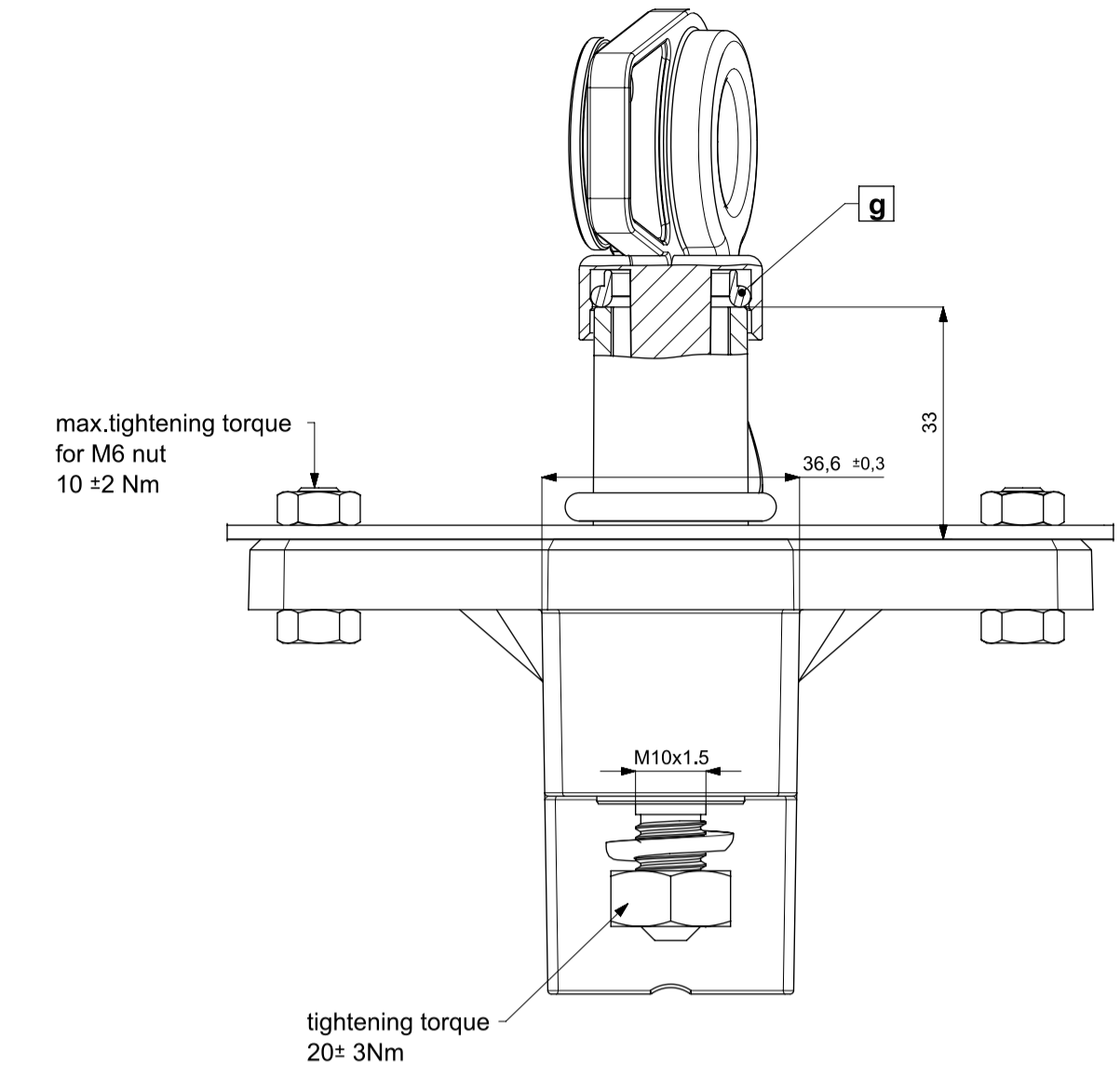
ACCESSORIES



Rev. No.	Konum Section	Tarih Date	İsmin Name	Revizyon tanımı Revision description	Talep No. Order No.
a	N/A	14.05.2007	YILBAYKANDERE	Weather add-on, terminal drawing signed system is revised according to Customer Special Characteristics Table	N/A
b	N/A	20.02.2008	YILBAYKANDERE	Material information changes Washer and Nut.	N/A
c	N/A	21.01.2011	FERHAT TUTANAR	Washer and nut material A2 70 XN is added.	N/A
d	N/A	16.11.2014	K.KARABALUT	Technical drawing updated	Yes
e	N/A	07.12.2014	K.KARABALUT	Ordering scheme is updated.Option 4 is updated.Option 5 is added.Option 6 is added in the accessories.	N/A
f	L4	24.05.2019	K.KARABALUT	Materials of LOCK ON/OFF and LOCK OFF file updated to PABLOCK (UL94 V-0) was PC GF20 (UL94 V-0)	N/A
g	MN3	30.03.2023	K.KARABALUT	Locking force was added in the accessories.302200130053, 302200130052 and 302200130056 address was system KAT codes.	N/A
h	CD-16	15.09.2023	K.KARABALUT	Voltage drop value is updated.	N/A
i	CD-16	16.01.2025	K.KARABALUT	Connection bolt hardness information has been added to the picture.	N/A

Parça Durumu / Part Status		Seri / Series	
KAT, bu fişle beraber kullanılmak üzere bir kopyasını teslim ederken, her türlü endüstriyel amaçla kullanılmak üzere ve bu fişle beraber kullanılmak üzere bir kopyasını teslim ederken, tüm hakları saklı tutar. Kopyalama ve dağıtma veya başka amaçlarla kullanılması yasaktır. (Distribution) başka KAT'a aittir.			
KAT reserves all rights, including without limitation rights of invention, copyrights, rights to names and the right to apply for industrial property rights. All rights of use and exploitation including the right to copy and disseminate or distribute remain with us.			
CAD sistemi ve yönetim kodu/CAD system and administration code			
Materyal / SAP kod / Markalama kodu / Material / SAP code/Part marking code		Renk / Color	
See the table		See the table	
Ağırlık (g) / Weight		See the table	
Çekme mukavemeti (N/mm ²)Tensile strength		N/A	Sertlik (HV)Hardness
Kaplama malzemesi/Coating material		N/A	N/A
Kaplama kalınlığı (µm)/Coating thickness		N/A	N/A
Çizen / Drawn		İsmin Name	Tarih / Date
Tasarım Sorumlusu / Responsible design		İmza / Signature	Proje Kod / Project code
Kontrol / Checked		Canan Topraktaşlar	22.03.2007
Gözetim Dök. / Safety Doc.		Can KABAŞANOĞLU	22.03.2007
ISO 128		Proje Adı / Project Name	
Okçe/Scale		BATTERY SEPARATION SWITCH_250A	
1:1		Resim No / Drawing No	
3:5		95200130001 (95007)	
		Boyut / Format	
		A1	
		Sayfa / Sheet	
		1	
		Toplam sayfa / of	
		1	
Normal ölçülerde belirtilmeyen toleranslar için genel toleranslar / General tolerances for nominal dimensions without specified tolerance			
ISO 2768			

Notlar/ Notes



- * Voltage : upto 32 VDC
- * Current : 500A
- * Voltage drop : max.150mV (@24V/500A)
- * Insulation resistance : 100 Megohms
- * High voltage strength : 1050V for 1min.
- * High current strength : 1500A for 4mins. / 2000A for 1.5mins.

- * Protection : IP65 to IEC 529
- * Operation temp.from : -40°C to +85°C
- * Wire size at nominal current : min.250mm²
- * Key : Removable
- * Key torque : max.2Nm
- * Switching range angel : 103°±2°
- * Product life : 5000 cycles electrical / 10000 cycles mechanical

Item	Designation	Material	Flammability	Color	Weight (g)
a/a*	Key (Std./ Lockable opt.)	PA6 GF30	HB	Red	18,2 / 22
b	Protection cap	PVC	UL94 HB	Black	9,4
c/c*	Base	PA66 GF50 FR	UL94 V-0	Black	124,9 / 161,1
d/d*	Body	PA66 GF50 FR	UL94 V-0	Black	34,9 / 41,4
e	Washer (DIN 127)	A2-60/70 XN	N/A	N/A	2,3
f	Nut	A2-60/70 XN	N/A	N/A	9,9
g	O-ring	NBR	N/A	N/A	6,1
h	Metal socket	CuZn39Pb3	N/A	N/A	2,45
i	Lock ON-OFF	PA6 GF30	UL94 V-0	Black	17,6
j	Lock OFF	PA6 GF30	UL94 V-0	Black	16,1

Delivery Volume		
Item	Designation	Number
1	Battery Separation Switch	1
2	Key	1
3	Protection cap	1
4	Washer	2
5	Nut	2 or 4 (Optional)

SPARE PARTS

<p>With KAT Logo 302200130008 (33419) Without Logo 34487 Customer Specific ASK.</p>	<p>With KAT Logo 36326 Without Logo 302200130050 (36327) Customer Specific ASK.</p>	<p>302200130052_Washer (DIN 127)</p>	<p>302200130053_Nut M10 (DIN 934)</p>
<p>302200130011 (33648)</p>	<p>302200130056_Nut M10 (DIN 439)</p>	<p>36510</p>	<p>36511</p>

ORDERING SCHEME

1 2 3 4

1 _ Battery Separation Switch Type / Mounting Panel Opening
2 _ Nut Type
3 _ Key Logo
4 _ Accessories

1

BATTERY SEPARATION SWITCH TYPE

2

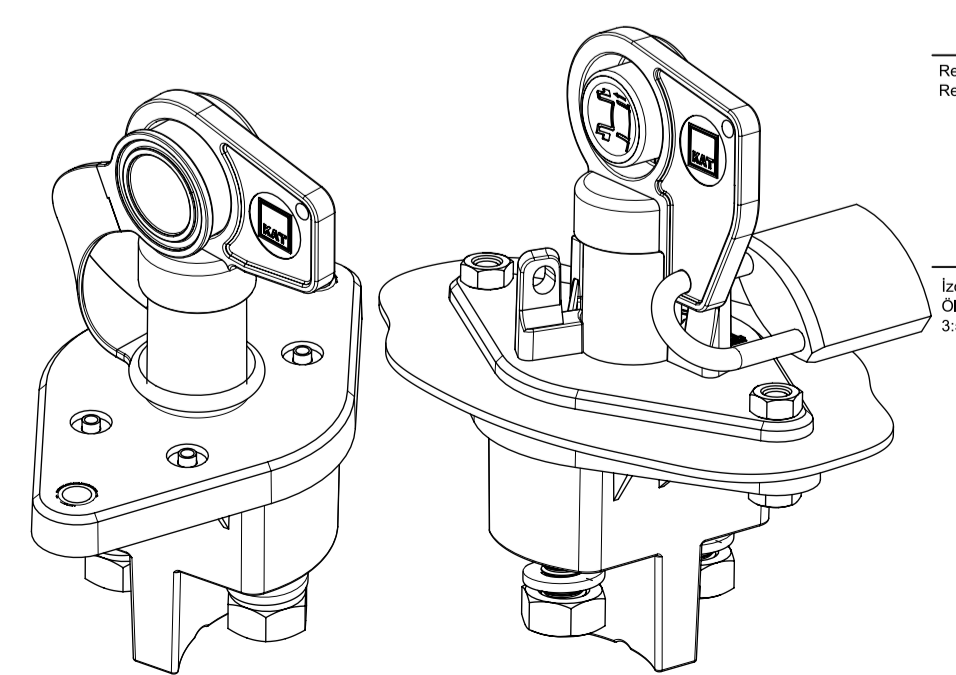
MOUNTING PANEL OPENING

* Product fulfills requirements best when it is mounted underneath panel.

2	NUT TYPE	Quant.
A	(DIN 934)	2
B	(DIN 439)	4

3	KEY LOGO
1	Without Logo
2	With KAT Logo
3	Customer Specific

4	A		B		C	
	NO LOCK		LOCK OFF		LOCK ON/OFF	
	WITH PADLOCK	WITHOUT PADLOCK	WITH PADLOCK	WITHOUT PADLOCK	WITH PADLOCK	WITHOUT PADLOCK
	ABUS 72 / 30	Padlock must be acc.to below requirements	ABUS 72 / 30	Padlock must be acc.to below requirements		



Rev. No.	Konum Section	Tarih Date	İsim Name	Revision tarihi / Revision description	Talep No. / Order No.
a	M43	30.03.2023	K-KARABULUT	Locking type are added in the accessories.302200130003, 302200130052 and 302200130056. Added new system XAT codes.	N/A

Parça Durumu / Part Status		Seri / Series	
<p>KAT, burada verilen bilgileri kullanarak üretilen ürünlerin tasarımı, imalatı, montajı, onarımı, bakımını ve servisini yapmak ve bu türde teknik destek sağlamak amacıyla müşterilerimize hizmet vermeye devam etmektedir. KAT, burada verilen bilgileri kullanarak üretilen ürünlerin tasarımı, imalatı, montajı, onarımı, bakımını ve servisini yapmak ve bu türde teknik destek sağlamak amacıyla müşterilerimize hizmet vermeye devam etmektedir. KAT reserves all rights, including without limitation rights of invention, copyrights, rights to names and the right to apply for industrial property rights. All rights of use and exploitation including the right to copy and disseminate or distribute remain with us.</p>			
CAD sistem ve yönetim kodu/CAD system and administration code		SIEMENS NX (*.prt)	
Malzeme / SAP kod / Malzeme kodu		Renk / Color	
Materyal / SAP code / Part marking code		See the table	
Ağırlık (kg) / Weight	See the table	Sertlik (HV) / Hardness	See the table
Çekme mukavemeti (N/mm ²) / Tensile strength	N/A	Sertlik (HV) / Hardness	See the table
Kaplama malzemesi / Coating material	N/A	Proje Kod / Project code	K13
Kaplama kalınlığı (µm) / Coating thickness	N/A	İmza / Signature	
Çizen / Drawn	Kadirye KARABULUT	Tarih / Date	
Tasarım Sorumlusu / Responsible design	Kadirye Karabulut		
Kontrol / Checked	Can KABAŞANOĞLU		
Güvenlik Dök. / Safety Doc.	N/A	Proje Adı / Project Name	
ISO 128		BATTERY SEPARATION SWITCH_500A	
Ölçek/Scale	Resim No / Drawing No	95200130003 (95462)	Boyut / Format A1
1:1			Şaile / Sheet 1
3:5			Toplam sayfa / of 1
Normal ölçülerde belirtilmeyen toleranslar için genel toleranslar / General tolerances for nominal dimensions without specified tolerance			DIN 7168 mS