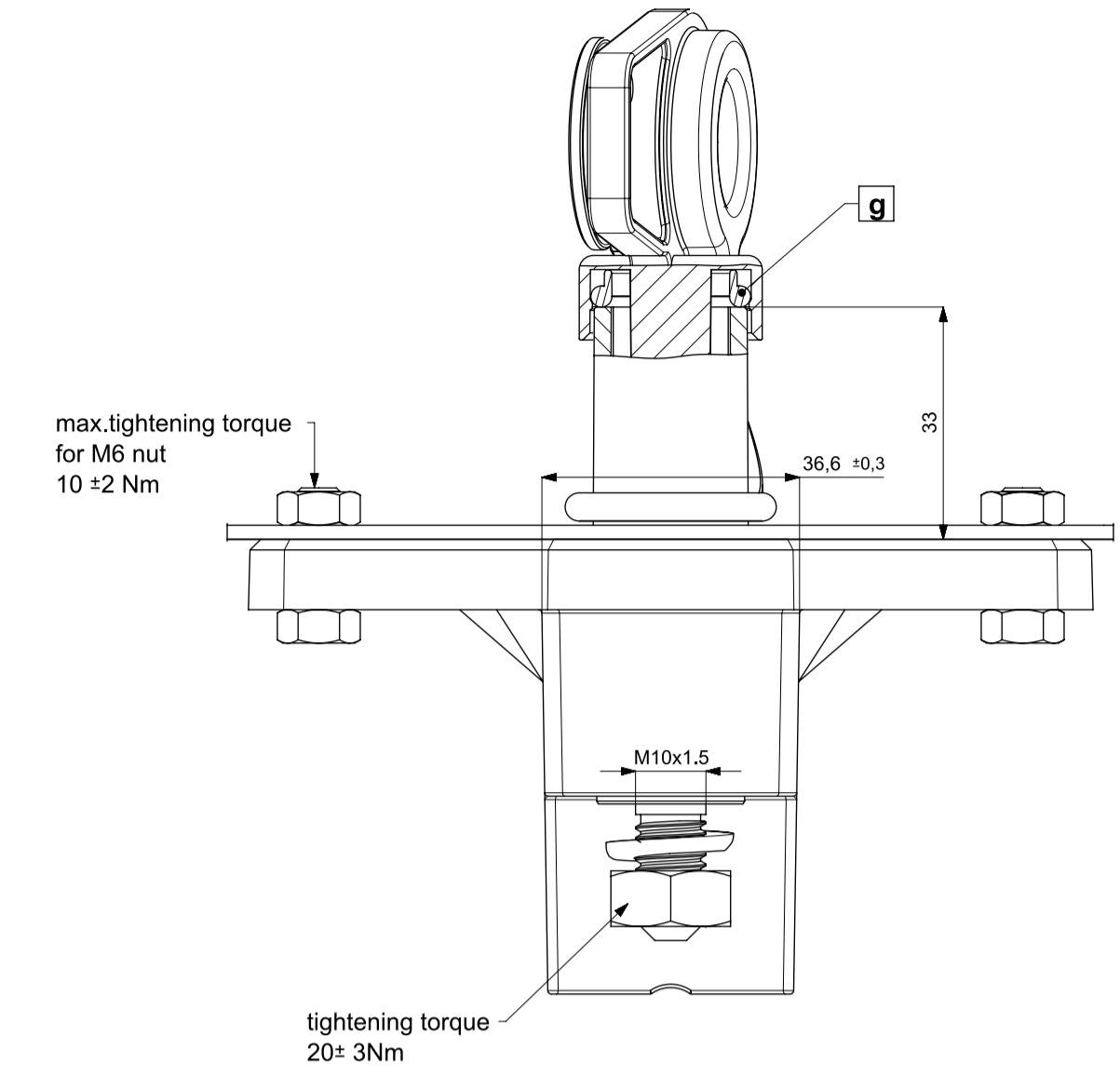


Notlar/ Notes



- * Voltage : upto 32 VDC
- * Current : 500A
- * Voltage drop : max.150mV (@24V/500A)
- * Insulation resistance : 100 Megohms
- * High voltage strength : 1050V for 1min.
- * High current strength : 1500A for 4mins. / 2000A for 1.5mins.

- * Protection : IP65 to IEC 529
- * Operation temp.from : -40°C to +85°C
- * Wire size at nominal current : min.250mm²
- * Key : Removable
- * Key torque : max.2Nm
- * Switching range angel : 103°±2°
- * Product life : 5000 cycles electrical / 10000 cycles mechanical

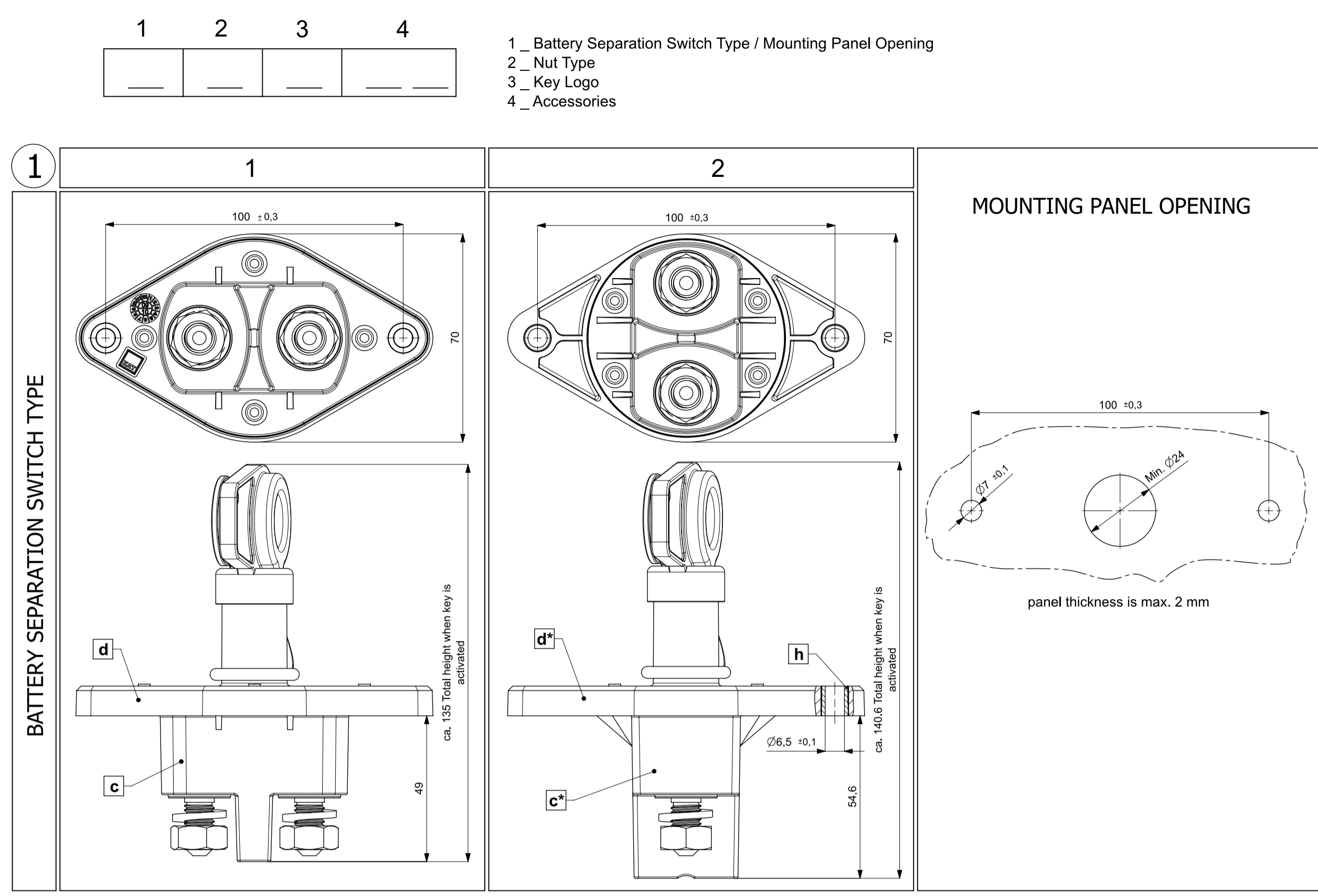
Item	Designation	Material	Flammability	Color	Weight (g)
a/a*	Key (Std./ Lockable opt.)	PA6 GF30	HB	Red	18,2 / 22
b	Protection cap	PVC	UL94 HB	Black	9,4
c/c*	Base	PA66 GF50 FR	UL94 V-0	Black	124,9 / 161,1
d/d*	Body	PA66 GF50 FR	UL94 V-0	Black	34,9 / 41,4
e	Washer (DIN 127)	A2-60/70 XN	N/A	N/A	2,3
f	Nut	A2-60/70 XN	N/A	N/A	9,9
g	O-ring	NBR	N/A	N/A	6,1
h	Metal socket	CuZn39Pb3	N/A	N/A	2,45
i	Lock ON-OFF	PA6 GF30	UL94 V-0	Black	17,6
j	Lock OFF	PA6 GF30	UL94 V-0	Black	16,1

Delivery Volume		
Item	Designation	Number
1	Battery Separation Switch	1
2	Key	1
3	Protection cap	1
4	Washer	2
5	Nut	2 or 4 (Optional)

SPARE PARTS

<p>With KAT Logo 302200130008 (33419) Without Logo 34487 Customer Specific ASK.</p>	<p>With KAT Logo 36326 Without Logo 302200130050 (36327) Customer Specific ASK.</p>	<p>*Comes with special key</p> <table border="1"> <tr> <td>With KAT Logo Without padlock</td> <td>36503</td> </tr> <tr> <td>Without Logo Without padlock</td> <td>36505</td> </tr> <tr> <td>With KAT Logo With padlock</td> <td>36507</td> </tr> <tr> <td>Without Logo With padlock</td> <td>36509</td> </tr> <tr> <td>Customer Specific</td> <td>ASK.</td> </tr> </table>	With KAT Logo Without padlock	36503	Without Logo Without padlock	36505	With KAT Logo With padlock	36507	Without Logo With padlock	36509	Customer Specific	ASK.	<p>*Comes with special key</p> <table border="1"> <tr> <td>With KAT Logo Without padlock</td> <td>36502</td> </tr> <tr> <td>Without Logo Without padlock</td> <td>36504</td> </tr> <tr> <td>With KAT Logo With padlock</td> <td>36506</td> </tr> <tr> <td>Without Logo With padlock</td> <td>36508</td> </tr> <tr> <td>Customer Specific</td> <td>ASK.</td> </tr> </table>	With KAT Logo Without padlock	36502	Without Logo Without padlock	36504	With KAT Logo With padlock	36506	Without Logo With padlock	36508	Customer Specific	ASK.
With KAT Logo Without padlock	36503																						
Without Logo Without padlock	36505																						
With KAT Logo With padlock	36507																						
Without Logo With padlock	36509																						
Customer Specific	ASK.																						
With KAT Logo Without padlock	36502																						
Without Logo Without padlock	36504																						
With KAT Logo With padlock	36506																						
Without Logo With padlock	36508																						
Customer Specific	ASK.																						
<p>302200130052_Washer (DIN 127)</p>	<p>302200130053_Nut M10 (DIN 934)</p>	<p>36510</p>	<p>36511</p>																				
<p>302200130011 (33648)</p>	<p>302200130056_Nut M10 (DIN 439)</p>																						

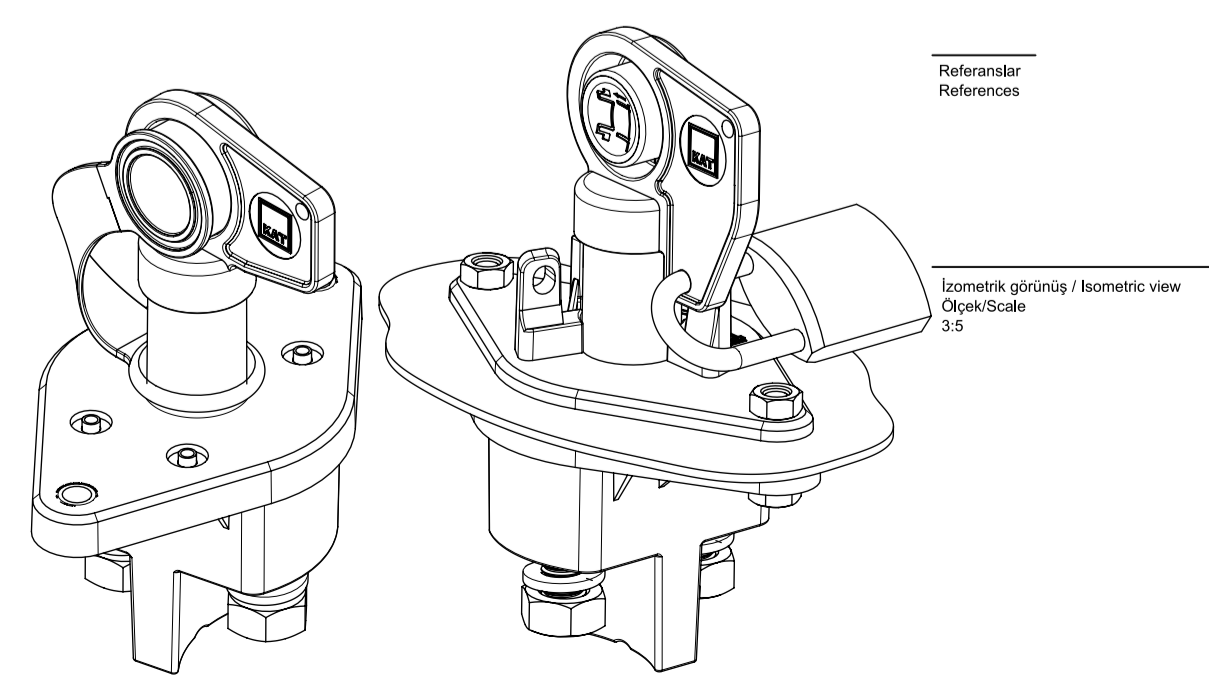
ORDERING SCHEME



2	NUT TYPE	Quant.
A	(DIN 934)	2
B	(DIN 439)	4

3	KEY LOGO
1	Without Logo
2	With KAT Logo
3	Customer Specific

4	ACCESSORIES	NO LOCK		LOCK OFF		LOCK ON/OFF			
		WITH PADLOCK		WITHOUT PADLOCK		WITH PADLOCK		WITHOUT PADLOCK	
		ABUS 72 / 30	Padlock must be acc.to below requirements	ABUS 72 / 30	Padlock must be acc.to below requirements	ABUS 72 / 30	Padlock must be acc.to below requirements	ABUS 72 / 30	Padlock must be acc.to below requirements



Rev. No.	Konum Section	Tarih Date	İsim Name	Revision tarihi Revision description	Talep No. Order No.
a	M43	30.03.2023	K-KARABULUT	Locking types are added in the accessories.302200130003, 302200130052 and 302200130056. Added new system XAT codes.	N/A

Parça Durumu / Part Status		Seri / Series	
KAT, burada verilen bilgileri kullanarak ürünün imalatını yapmamanızla birlikte, endüstriyel amaçlarla kullanılmaması ve bu amaçla kullanılmak üzere başka bir şekilde dağıtılmaması, satılmaması, kopyalanması veya dağıtılması veya başka bir şekilde kullanılması veya imalatının yapılmasını istediğiniz takdirde KAT'a yazın.			
KAT reserves all rights, including without limitation rights of invention copyrights, rights to names and the right to apply for industrial property rights. All rights of use and exploitation including the right to copy and disseminate or distribute resale with us.			
CAD sistemi ve yönetim kodu/CAD system and administration code		SIEMENS NX (*.prt)	
Malzeme / SAP kod / Malzeme kodu		Renk / Color	
Materyal / SAP code / Part marking code		See the table	
Ağırlık (g) / Weight	See the table	Sertlik (HV) / Hardness	See the table
Çekme mukavemeti (N/mm ²) / Tensile strength	N/A	Sertlik (HV) / Hardness	See the table
Kaplama malzemesi / Coating material	N/A	Proje Kod / Project code	K13
Kaplama kalınlığı (µm) / Coating thickness	N/A	İmza / Signature	
Çizen / Drawn	Kadirye KARABULUT	Tarih / Date	
Tasarım Sorumlusu / Responsible design	Kadirye Karabulut	İmza / Signature	
Kontrol / Checked	Can KABAŞANOĞLU	Proje Kod / Project code	K13
Güvenlik Dök. / Safety Doc.	N/A	Proje Adı / Project Name	
ISO 128		BATTERY SEPARATION SWITCH_500A	
Ölçek / Scale	Resim No / Drawing No	Boyut / Format	A1
1:1	95200130003	Şaile / Sheet	1
3:5	(95462)	Toplam sayfa / of	1
Normal ölçülerde belirtilmeyen toleranslar için genel toleranslar / General tolerances for nominal dimensions without specified tolerance			
DIN 7168 mS			